



**Terry**   
total mobility solutions

MELODY 3

## Melody 3 Lifting Platform

The Terry Melody 3 Lifting Platform offers an aesthetically pleasing solution to the problem of short-rise vertical wheelchair access outside and inside. The innovative design ensures ease of use and compliance with the current disability legislation.

### Standard Specification

**Finish:** Painted carriage with polycarbonate infill's.  
 Painted upper level landing gate with polycarbonate infill

**Useable platform area:** 900mm x 1400mm

**Integral ramp:** Eliminates the requirement for a pit – minimises building work

**Maximum safe working load:**  
 500 kg up to 2m / 440kg up to 3m

**Maximum travel:** 3m (3000mm)

**Minimum travel:** 750mm

**Rated speed:** 0.08 metres per second

**Power supply electrical requirements:**  
 Dedicated 220/240V AC~ 50/60 Hz 13A single phase  
 RCD Protected Supply

**Low voltage operating system:** 12VDC

**Hydraulic oil grade:** T22

**Operating temperature range:** -10°C to +40°C

**Safety:** Safety surfaces protect against entrapment below the platform. The lift has battery back-up for emergency lowering only. Hose burst valve on the ram. Chequer plate floor.

**Lifting mechanism:**  
 Direct acting hydraulic drive system

**IP rating:** Control stations IP53X

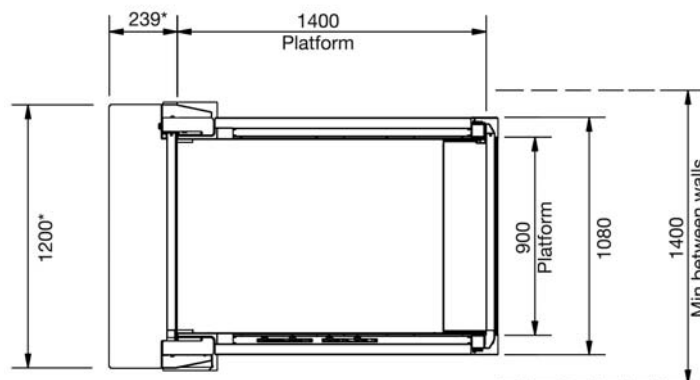
**Corrosion resistant materials (All visible components):**  
 Aluminium. Polyester Powder Coating applied to either galvanised or zintec steel sheet or active zinc primer.

**Design and manufacturing standard:**  
 2006/42/EC Machinery Directive, (CE Mark),  
 and BS6440 (2011).

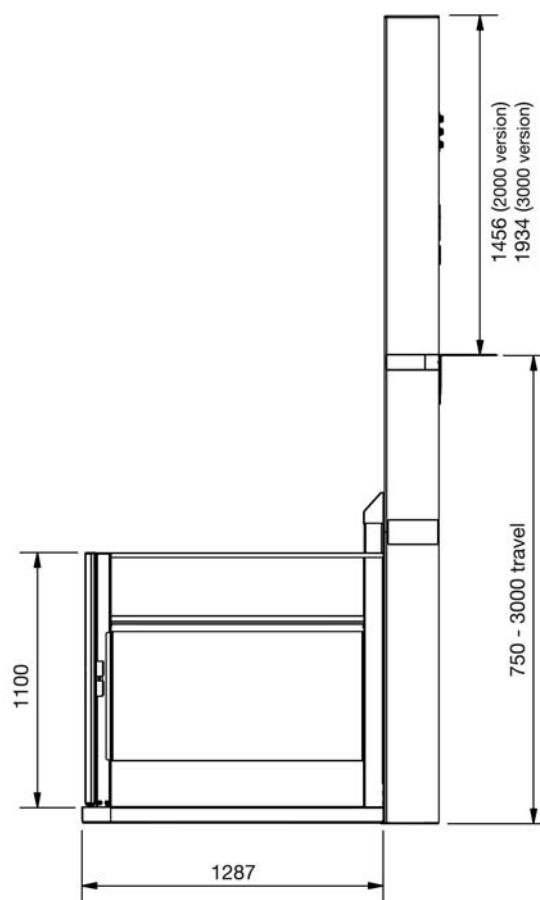
### Available Options

- Powered platform and landing gates
- 1100mm x 1400mm platform
- Dual car controls
- Full battery back up
- Stainless Steel Kit: All handrail posts, kicking strips, platform trims, upper handrail panels and covers
- Pit Installation (indoor installation only)
- Remote Enabler or Remote Isolate (extra fobs available)
- Stand alone call station in post - stainless steel or painted finish
- Wall mounted surface or flush call stations
- Special paint finishes
- Various non-slip vinyl floor coverings
- LED down lights
- GPRS autodialler for 2 way voice communication

## Melody 3 Dimensions (in mm)



\* Upper level fixing plate



**Terry**   
 total mobility solutions

**Terry Group Ltd.**  
 Longridge Trading Estate,  
 Knutsford, Cheshire, WA16 8PR

t: 0845 365 5366  
 f: 0845 365 5367  
 e: sales@terrylifts.co.uk  
 w: www.terrylifts.co.uk

